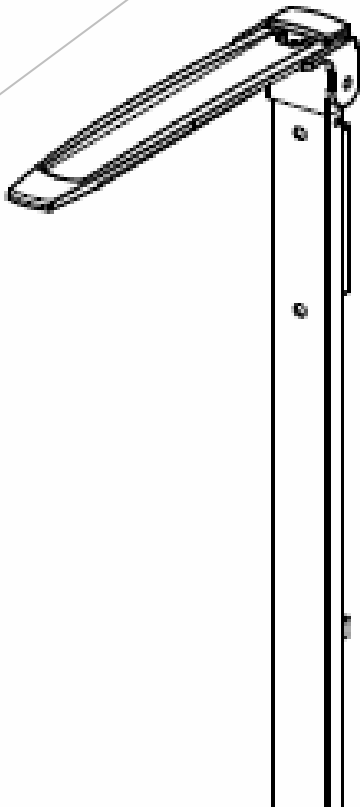


# MARSDEN

USER MANUAL

## HM-201M

Marsden Height Measure



Please take time to read these  
instructions before using  
this product

# Contents

Introduction	3
Product Specification	3
Safety Instructions	4
Warranty	4
Assembly Instructions	5
Operation	6

Thank you for purchasing a Marsden professional medical product. This is a precision height measure and considerate use will result in many years of accurate weighing.

## Product Specification

Model	HM-201M
Accuracy Class	In accordance with 2007/47/EC: Class I with measuring function
Measuring Range	60cm-210cm
Graduations	1mm
Accuracy	±10mm
Dimensions	(W)55mm x (H)784mm x (D)34mm
Weight	Approximately 700g
Temperature Range	10 to 40°C
Warranty	2 years

# Safety Instructions

Before putting this product into use, please read with care the information given in this user manual, which contains important instructions for proper installation and use of the device.

- Always follow assembly and operation instructions given in this manual.
- If attaching to a column scale, only use with Marsden column scales.
- Use assembly material supplied.
- To avoid risk of injury, always fold down the measuring slide after height has been measured.

Marsden/the manufacturer shall not be liable for damages arising from failure to heed the following instructions:

- Inappropriate installation/use will render the warranty null and void.
- This product is designed for use indoors.
- Observe the permissible ambient temperatures for use.

If you have any problems, contact Marsden/your local dealer/your service partner.

## Warranty

- A two year warranty from date of delivery applies to defects attributable to poor materials or workmanship.
- All moveable parts - batteries, cables, mains units, rechargeable batteries etc.- are excluded.
- Defects, which come under warranty, will be replaced/repared for the customer at no charge. No further claims can be entertained. The costs of transport in both directions will be borne by the customer should the equipment be located anywhere other than the customer's premises.
- In the event of transport damage, claims under warranty can be honoured only if the complete original packaging was used for any transport and the scale secured and attached in that packaging just as it was when originally packed. All the packaging should therefore be retained.

The warranty will be void if this product is disassembled by unauthorised personnel.

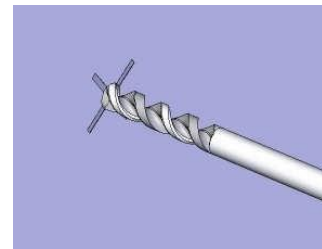
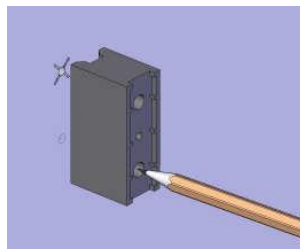
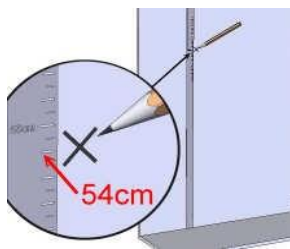
## Cleaning

- Clean the measuring rod using a domestic cleaning agent or disinfectant.
- Please do not use corrosive liquids, large amounts of water or high pressure washers.

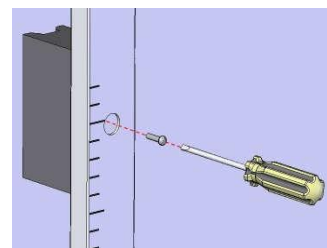
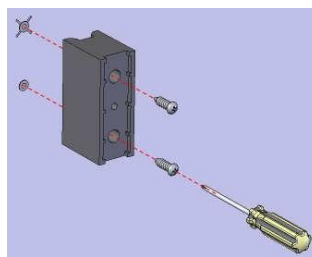
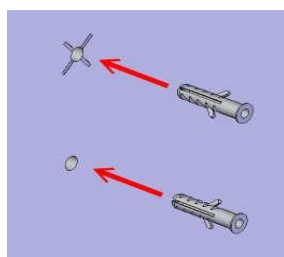
## Disposal of the Product

- For disposal details contact your local council, your municipal waste disposal company or from where you purchased the product.

## Assembly Instructions: With Bracket

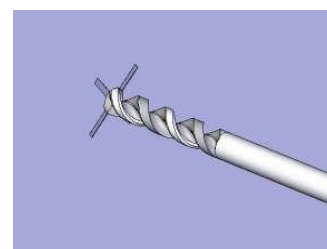
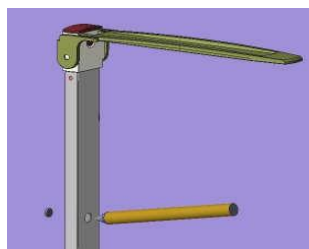
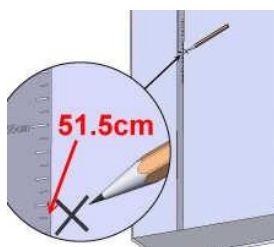


Mark a cross at 54cm off the ground. Align the cross with one hole; mark the position for second hole. Drill through both markings.

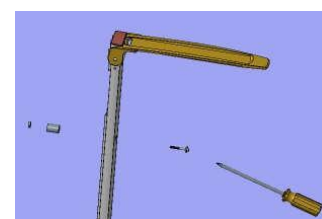
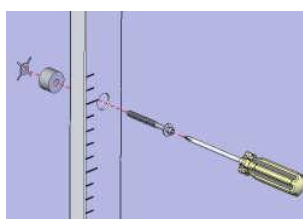
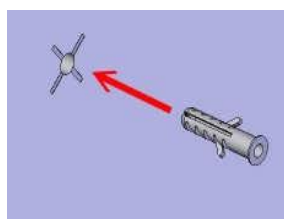


Insert raw plugs into holes and screw bracket to the wall. Screw height rod on the bracket.

## Assembly Instructions: Without Bracket



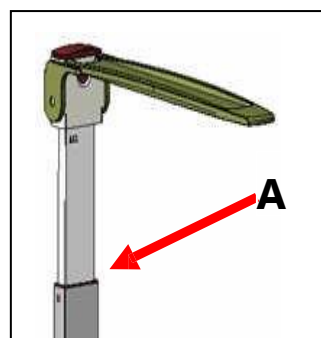
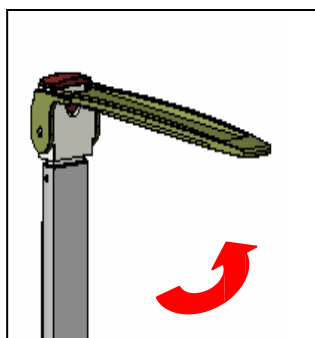
Make a cross at 51.5cm off the ground. Extend the height rod, mark the top hole position and drill through both markings.



Insert raw plugs into holes and screw bracket to the wall. Screw the height rod on the bracket.

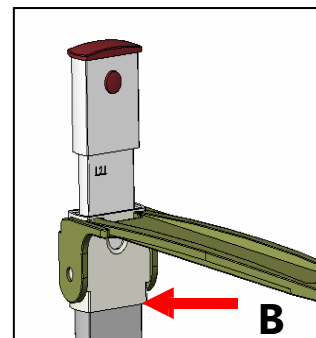
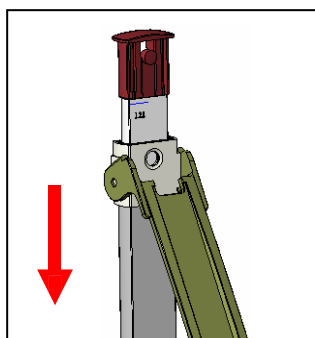
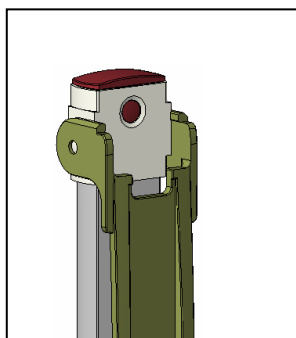
# Operation

When measuring over 120cm:



Pull out the rod. Position plate to the horizontal position. Height reading can be read at (A).

When measuring under 120cm:



Fold the plate down, and press and hold button. With the button held down, pull down the head piece. Pull out the height rod. Height reading can be read at (B).





Accuracy Assured

Tel: 01709 364296 / 0800 169 2775

Fax: 01709 364293

E-mail: [sales@marsdengroup.co.uk](mailto:sales@marsdengroup.co.uk)

**Manufacturing and Distribution:**

Unit 7, Centurion Business Park,

Coggin Mill Way,

Rotherham,

S60 1FB

**Head Office:**

Unit 1, Genesis Business Park,

Sheffield Road,

Rotherham

S60 1DX

[www.marsden-weighing.co.uk](http://www.marsden-weighing.co.uk)